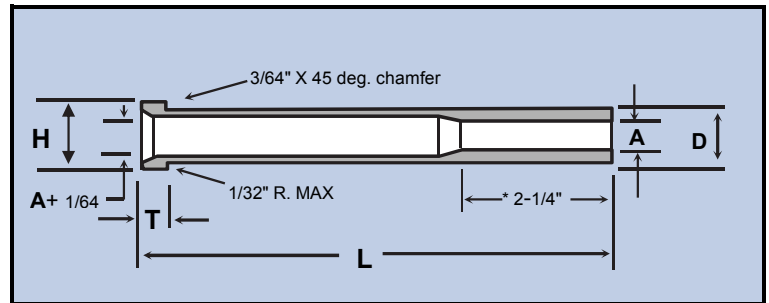


MATERIAL: H-13 HOTWORK DIE STEEL
I. D. & O. D. NITRIDED TO 65-74 RC

NITRIDED O.D. & I.D.

TOLERANCES				
I.D.	O.D.	HEAD DIA.	HD. THICK	O.A.L.
A	D	H	T	L
+0.005" -0.000"	-0.0003" -0.0008"	+0.000" -0.010"	+0.000" -0.002"	+0.125" -0.000"

HOW TO ORDER: EXAMPLES		
Qty.	Cat. No.	Length
10	RSL-15	L-4
6	RSL-29	L-7



*RSL-13 and RSL-15 have a 1-3/4" bearing length

CATALOG NUMBER	A I.D.	D O.D.	H HEAD DIA.	T HEAD THICK	NET PRICE EACH PER QUANTITY (US \$)									
					L-3"		L-4"		L-5"		L-6"		L-7"	
					1-24	25 +	1-24	25 +	1-24	25 +	1-24	25 +	1-24	25 +
RSL-13	3/32	3/16	3/8	3/16	26.35	25.03	28.65	27.22	31.45	29.88	33.95	32.25	37.00	35.15
RSL-15	1/8	7/32	13/32	3/16	25.10	23.85	27.90	26.51	30.90	29.36	33.45	31.78	36.50	34.68
RSL-17	5/32	1/4	7/16	3/16	Q	Q	21.30	20.24	22.30	21.19	24.10	22.90	26.35	25.03
RSL-21	3/16	5/16	1/2	1/4	Q	Q	21.80	20.71	23.05	21.90	25.10	23.85	27.65	26.27
RSL-23	7/32	11/32	9/16	1/4	Q	Q	22.05	20.95	23.60	22.42	25.60	24.32	28.40	26.98
RSL-25	1/4	3/8	5/8	1/4	Q	Q	22.55	21.42	24.10	22.90	26.35	25.03	28.90	27.46
RSL-29	5/16	7/16	11/16	1/4	Q	Q	23.05	21.90	25.60	24.32	28.15	26.74	30.90	29.36
RSL-33	3/8	1/2	3/4	1/4	Q	Q	23.60	22.42	27.90	26.51	30.40	28.88	33.45	31.78
RSL-37	7/16	5/8	7/8	1/4	Q	Q	25.35	24.08	30.40	28.88	35.50	33.73	38.50	36.58
RSL-39	1/2	11/16	15/16	1/4	Q	Q	26.60	25.27	31.45	29.88	37.00	35.15	40.55	38.52
RSL-41	9/16	3/4	1"	1/4	Q	Q	33.00	31.35	36.50	34.68	40.00	38.00	44.00	41.80
RSL-45	5/8	7/8	1-1/8	1/4	Q	Q	37.50	35.63	41.00	38.95	45.00	42.75	49.00	46.55
RSL-47	3/4	1"	1-1/4	1/4	Q	Q	41.50	39.43	45.50	43.23	49.50	47.03	54.00	51.30

CATALOG NUMBER	A I.D.	D O.D.	H HEAD DIA.	T HEAD THICK	NET PRICE EACH PER QUANTITY (US \$)									
					L-8"		L-9"		L-10"		L-11"		L-12"	
					1-24	25 +	1-24	25 +	1-24	25 +	1-24	25 +	1-24	25 +
RSL-17	5/32	1/4	7/16	3/16	28.90	27.46	31.95	30.35	36.00	34.20	Q	Q	Q	Q
RSL-21	3/16	5/16	1/2	1/4	30.40	28.88	33.45	31.78	37.50	35.63	41.50	39.43	46.50	44.18
RSL-23	7/32	11/32	9/16	1/4	31.45	29.88	35.50	33.73	39.05	37.10	Q	Q	Q	Q
RSL-25	1/4	3/8	5/8	1/4	31.95	30.35	36.00	34.20	40.05	38.05	44.50	42.28	49.50	47.03
RSL-29	5/16	7/16	11/16	1/4	34.45	32.73	38.50	36.58	42.55	40.42	47.50	45.13	52.50	49.88
RSL-33	3/8	1/2	3/4	1/4	37.00	35.15	44.05	41.85	45.60	43.32	50.50	47.98	56.00	53.20
RSL-37	7/16	5/8	7/8	1/4	42.55	40.42	46.60	44.27	51.20	48.64	56.50	53.68	62.00	58.90
RSL-39	1/2	11/16	15/16	1/4	44.60	42.37	49.15	46.69	54.20	51.49	59.50	56.53	65.00	61.75
RSL-41	9/16	3/4	1"	1/4	48.00	45.60	53.00	50.35	57.50	54.63	63.00	59.85	68.50	65.08
RSL-45	5/8	7/8	1-1/8	1/4	53.50	50.83	58.50	55.58	63.50	60.33	69.50	66.03	75.00	71.25
RSL-47	3/4	1"	1-1/4	1/4	58.50	55.58	64.00	60.80	69.50	66.03	75.00	71.25	81.50	77.43

NOTE: Quantity Prices on Ejector Sleeves are per size only and are based on one shipment and one destination.

Ejector Sleeves are not combinable with any other components for cumulative pricing.

Q = Price Per Quotation