

H-13 HOTWORK EJECTOR PINS

TIGHTEST TOLERANCES IN THE INDUSTRY (.0003")

MATERIAL : H-13 HOTWORK DIE STEEL

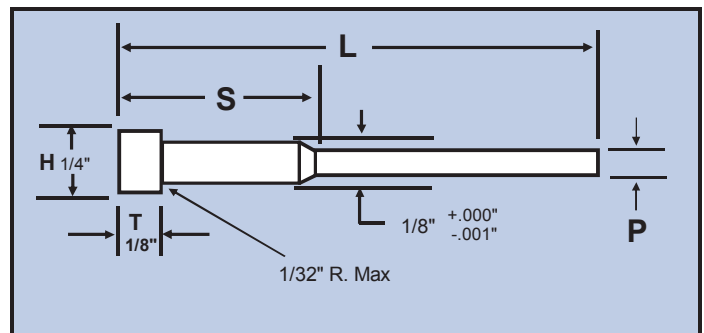
CORE: THROUGH-HARDENED TO 41-45 RC

SURFACE: ION NITRIDED TO 65-74 RC

Royal KNIGHTRIDE™ Series Ejector Pins are precision crafted from the finest grade of H-13 thermal shock resistant hotwork die steel. The heads are hot forged and stress relieved for uniform grain flow and high tensile strength. The core is hardened throughout to 41-45 RC and the surface is ion nitrided to 65-74 RC in a proprietary process, designed to create a diffusion layer between the nitrided case and the hardened core. The process produces the ideal combination of toughness and long life and it also prevents surface nicking and flaking which may be a problem with other nitrided pins. The diameters are precision ground to a high surface finish (5-10 Ra) and tight tolerance (.0003") which reduces friction and increases pin life.

SHOULDER STYLE

STANDARD FRACTIONAL AND .0005" OVERSIZED DIAMETERS



HOW TO ORDER: EXAMPLES			
Qty.	Cat No.	(IF .0005" O.S.)	Length
24	RX-3-2		L-6
48	RX-5-1/2	+.005	L-10

TOLERANCES			
P	H	T	L
-.0005"	+.000"	+.000"	+.375"
-.0008"	-.010"	-.002"	-.000"

P		S	CATALOG NUMBER	L-4"	L-6"	L-10"		L-14"	PKG. QTY.
NOMINAL PIN DIA.	ACTUAL PIN DIA.	SHOULDER LENGTH		STANDARD DIA.	STANDARD DIA.	STANDARD DIA.	+.0005" DIA.	STANDARD DIA.	
1/32	.0308" .0305"	1/2	RX-2-1/2	Q	6.51	Q	Q	Q	12
		2"	RX-2-2	Q	6.41	Q	Q	Q	
		3"	RX-2-3	Q	Q	8.04	Q	Q	
		4"	RX-2-4	Q	Q	8.04	Q	Q	
3/64	.0464" .0461"	1/2	RX-3-1/2	3.89	3.94	4.99	5.68	6.94	
		2"	RX-3-2	3.86	3.91	4.69	5.47	6.72	
		3"	RX-3-3	Q	Q	4.69	Q	Q	
		4"	RX-3-4	Q	Q	4.69	Q	Q	
1/16	.0620" .0617"	1/2	RX-5-1/2	3.52	3.56	4.56	5.36	6.40	
		2"	RX-5-2	3.43	3.48	4.35	5.15	6.04	
		3"	RX-5-3	Q	Q	4.18	Q	Q	
		4"	RX-5-4	Q	Q	4.35	Q	Q	
5/64	.0776" .0773"	1/2	RX-6-1/2	3.52	3.56	4.56	5.36	6.40	
		2"	RX-6-2	3.43	3.48	4.35	5.15	6.04	
		3"	RX-6-3	Q	Q	4.18	Q	Q	
		4"	RX-6-4	Q	Q	4.35	Q	Q	
3/32	.0933" .0930"	1/2	RX-7-1/2	3.16	3.21	4.14	4.92	6.07	
		2"	RX-7-2	3.08	3.12	3.93	4.70	5.92	
		3"	RX-7-3	Q	Q	3.76	Q	Q	
		4"	RX-7-4	Q	Q	3.93	Q	Q	
7/64	.1089" .1086"	1/2	RX-8-1/2	3.16	3.21	4.14	4.92	6.07	
		2"	RX-8-2	3.08	3.12	3.93	4.70	5.80	
		3"	RX-8-3	Q	Q	3.76	Q	Q	
		4"	RX-8-4	Q	Q	3.93	Q	Q	

Q=Price Per Quotation

QUANTITY DISCOUNTS		
Apply to all standard RX Shoulder and Straight Styles, and are combinable with PT, RHX, RC, RCX, MPT, and ME Ejector and Core Pins		
300 Pieces (one size).....	Less 5%	500 Pieces (cumulative).....
		Less 5%
		1200 Pieces (cumulative).....
		Less 7%

Please refer to pages 15 and 16 for our M-2 High Speed Steel **TRUE-HARD™** Series Ejector/Core Pins. The **TRUE-HARD™** pins are stocked in standard fractional diameters, up to 1/4" (PT Type) and are available for quick delivery in .0001" increment diameters (PTD TYPE)

* Please see PAGE 1 for a more complete list of modifications that are available for any of the ROYAL Family of Pins and Punches