



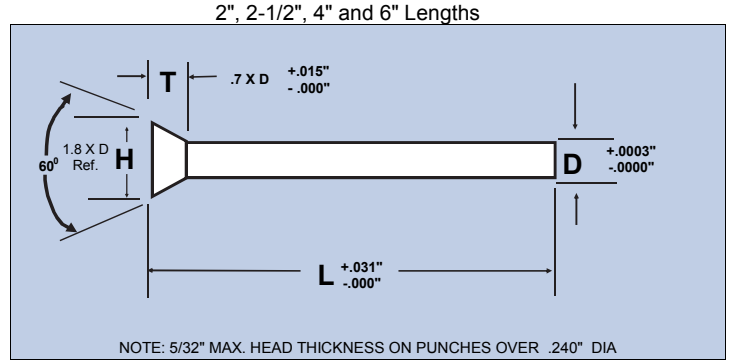
## PERFORATORS/CORE PIN BLANKS

M-2 HIGH SPEED STEEL, 60-63 RC  
PRECISION FORM-GROUND  
DIAMETERS IN .001" OR .0001" INCREMENTS

The following fractional diameters are included in the .001" increment price tables below: 1/32, 3/64, 1/16, 5/64, 3/32, 7/64, 1/8, 9/64, 5/32, 3/16, 7/32, 1/4, 9/32, 5/16, & 3/8.

HOW TO ORDER: EXAMPLES				
Qty.	Type	Dia.	X	Length
25	RQA	.1875	X	4
50	RQA	.197	X	2-1/2

D DIAMETER .001" INCREMENTS	NET PRICE EACH PER QUANTITY (US \$)				
	L - LENGTH				
	2"				
	50-99	25-49	10-24	5-9	1-4
.010 - .014	3.38	3.55	3.70	4.62	5.54
.015 - .019	2.83	2.96	3.08	3.85	4.62
.020 - .029	2.26	2.37	2.47	3.10	3.71



Q = Price Per Quotation

D DIAMETER .001" INCREMENTS	NET PRICE EACH PER QUANTITY (US \$)															ML MODIFY LENGTH ADD TO BASE PRICE
	L - LENGTH															
	2-1/2"					4"					6"					
	50-99	25-49	10-24	5-9	1-4	50-99	25-49	10-24	5-9	1-4	50-99	25-49	10-24	5-9	1-4	
.030 - .055	1.80	1.88	1.98	2.47	2.97	Q	Q	Q	Q	Q	Q	Q	Q	Q	Q	\$0.25 EACH OR \$25.00 MIN.
.056 - .087	1.94	2.02	2.11	2.63	3.16	4.18	4.38	4.57	6.60	10.64	7.58	7.92	8.27	10.29	14.33	
.088 - .131	2.16	2.25	2.36	2.95	3.53	3.86	4.03	4.20	6.23	10.27	7.25	7.58	7.90	9.92	13.96	
.132 - .179	2.26	2.37	2.47	3.10	3.71	3.96	4.13	4.33	6.35	10.40	7.36	7.69	8.03	10.05	14.09	\$0.32 EACH OR \$28.00 MIN.
.180 - .225	2.61	2.73	2.84	3.55	4.26	4.31	4.50	4.68	6.70	10.74	7.69	8.04	8.40	10.42	14.46	
.226 - .250	2.95	3.08	3.21	4.02	4.82	4.63	4.85	5.06	7.08	11.12	8.03	8.40	8.75	10.78	14.82	
.251 - .336	3.30	3.44	3.59	4.49	5.38	4.99	5.19	5.42	7.44	11.48	8.39	8.75	9.15	11.17	15.21	\$0.37 EACH OR \$30.00 MIN.
.337 - .375	3.58	3.73	3.89	4.86	5.84	5.27	5.50	5.74	7.76	11.80	8.66	9.06	9.45	11.47	15.51	
	STANDARD					NON-STANDARD										

DIAMETERS IN .0001" INCREMENTS MADE TO ORDER	SETUP CHARGE - ADD TO STANDARD PRICE		
	2-1/2"	4"	6"
	\$25.00	\$45.00	

QUANTITY DISCOUNTS
Based on one size, one shipment and one destination
100 Pcs.....50 Pc. Price Less 7%
Over 300 Pieces..... Call For Pricing

Please see PAGE 1 for a more complete list of modifications that are available for any of the ROYAL Family Of Pins and Punches

\*ML MODIFICATION IS PRICED IN THE TABLE ABOVE